
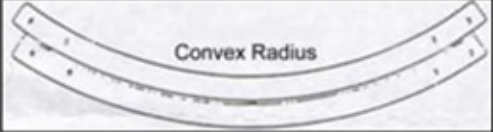


ON-SITE GUARDRAIL GARDEN TRAINING

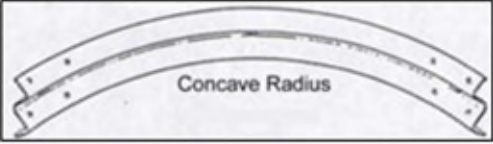
MSKT End Treatment Component Checklist

Date Created: 4/1/2024





Convex Radius

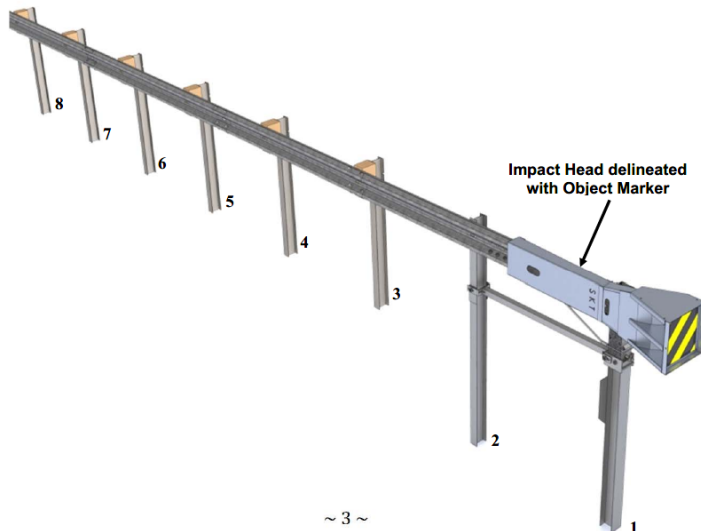


Concave Radius

MSKT Inspection Checklist

1. Is there curved (radius rail) within the MSKT 50'-0" length?

Answer: Yes / No (circle answer)
Correct Checklist Answer: No
Manufacturer Checklist Item: #2
There is no radius rail within the MSKT 50'-0" length (TL-3).



ON-SITE GUARDRAIL GARDEN TRAINING



MSKT Inspection Checklist

2. Is the end rail panel attached to the post at post 1?

Answer: Yes / No (circle answer)

Correct Checklist Answer: No

Manufacturer Checklist Item: #3

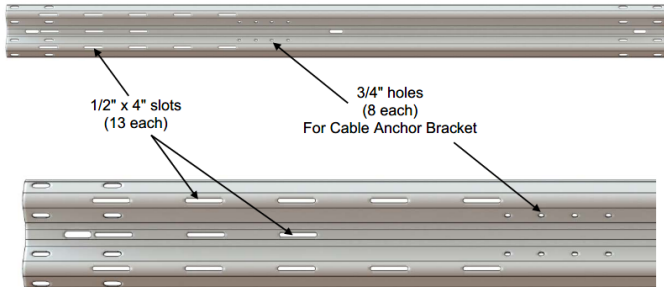
The end rail panel is not attached to the post at post location #1.



ON-SITE GUARDRAIL GARDEN TRAINING

	MSKT Inspection Checklist
3. Does the end rail panel have 1/2" x 4" slots?	

Answer: Yes / No (circle answer)
Correct Checklist Answer: Yes
Manufacturer Checklist Item: #4
The end rail panel has 1/2" x 4" slots and all rails are lapped in the proper direction.



ON-SITE GUARDRAIL GARDEN TRAINING



MSKT Inspection Checklist

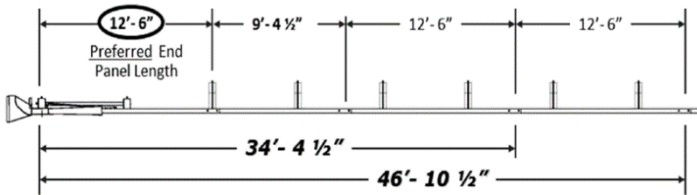
4. Is the end rail panel is 12'-6" long and the second rail panel 9'-4 1/2" or 15'-7 1/2"?"

Answer: Yes / No (circle answer)

Correct Checklist Answer: Yes

Manufacturer Checklist Item: #5

The end rail panel is 12'-6" long. The second rail must be 9'-4 1/2" long to establish the mid-span splices between posts. A second rail length of 15'-7 1/2" may also be used.



ON-SITE GUARDRAIL GARDEN TRAINING

	MSKT Inspection Checklist
	5. Is the $\frac{3}{4}$ " x $8\frac{1}{2}$ " hinge bolt at the bottom of post #2 is on the downstream side of the post?

Answer: Yes / No (circle answer)
Correct Checklist Answer: Yes
Manufacturer Checklist Item: #6
The $\frac{3}{4}$ " x $8\frac{1}{2}$ " hinge bolt at post #2 is on the downstream side of the post.



$\frac{3}{4}$ " x $8\frac{1}{2}$ " hex bolt at post #2 on downstream side of the post



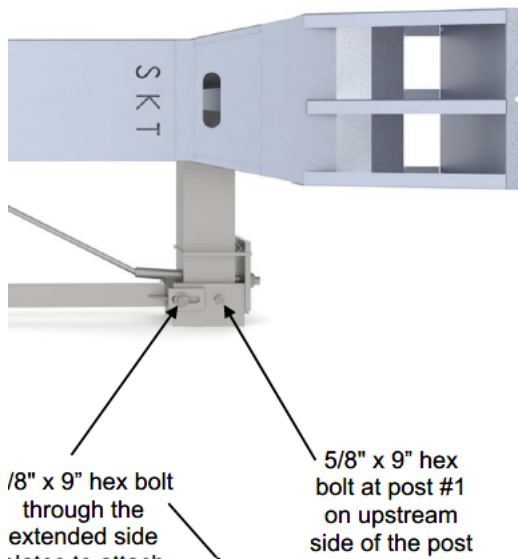
ON-SITE GUARDRAIL GARDEN TRAINING



MSKT Inspection Checklist

6. Is the 5/8" x 9" hinge bolt at the bottom of post 1 on the upstream side of the post?

Answer: Yes / No (circle answer)
Correct Checklist Answer: Yes
Manufacturer Checklist Item: #7
The 5/8" x 9" hinge bolt at post location #1 is on the upstream side of the post.



ON-SITE GUARDRAIL GARDEN TRAINING



MSKT Inspection Checklist

7. Is the lower stub at posts #1 and #2 no more than 4" above the ground line? (Measured by the AASHTO 5' cord method).

Answer: Yes / No (circle answer)

Correct Checklist Answer: No

Manufacturer Checklist Item: #8

The lower stub at posts #1 and #2 do not protrude more than 4" above the ground line (measured by the AASHTO 5' cord method). Site grading may be necessary to meet this requirement.



ON-SITE GUARDRAIL GARDEN TRAINING



MSKT Inspection Checklist

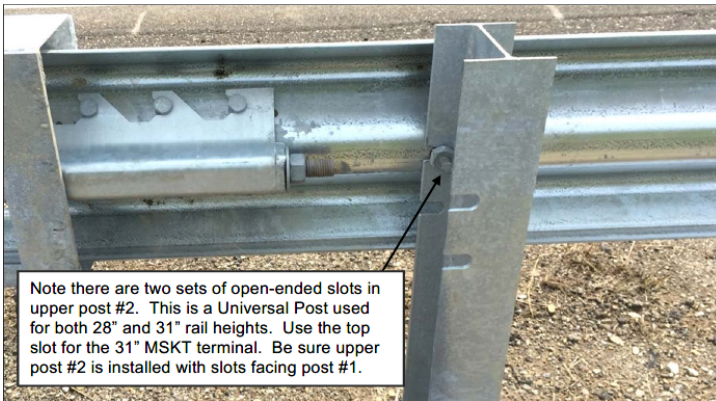
8. At post #2, are the open-ended slots at the post bolt on the upstream side of the post?

Answer: Yes / No (circle answer)

Correct Checklist Answer: Yes

Manufacturer Checklist Item: #9

At post #2, the open-ended slot(s) at the post bolt is on the upstream side of the post.



Note there are two sets of open-ended slots in upper post #2. This is a Universal Post used for both 28" and 31" rail heights. Use the top slot for the 31" MSKT terminal. Be sure upper post #2 is installed with slots facing post #1.

ON-SITE GUARDRAIL GARDEN TRAINING



MSKT Inspection Checklist

9. Are standard steel W6x9# x 6'-0" guardrail posts used at post locations #3-8 and beyond?

Answer: Yes / No (circle answer)

Correct Checklist Answer: Yes

Manufacturer Checklist Item: #10

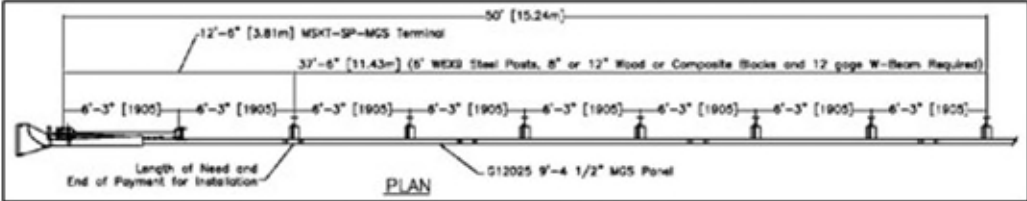
Standard steel W6x9# x 6'-0" guardrail posts are used at post locations #3 and beyond.



ON-SITE GUARDRAIL GARDEN TRAINING

MSKT Inspection Checklist

10. Are all posts within the MSKT spaced at 6'-3" centers?



The diagram, labeled 'PLAN', shows a 50' [15.24m] section of a guardrail. It features a 12'-6" [3.81m] MSKT-SP-MGS Terminal at the left end. The main section is 37'-6" [11.43m] long and contains 10 posts spaced at 6'-3" [1905] intervals. The posts are supported by G12025 9'-4 1/2" MGS Panels. A note indicates that the length of the need and end of payment for installation is 37'-6".

Answer: Yes / No (circle answer)

Correct Checklist Answer: Yes

Manufacturer Checklist Item: #11

All posts within the MSKT are spaced at 6'-3" centers.



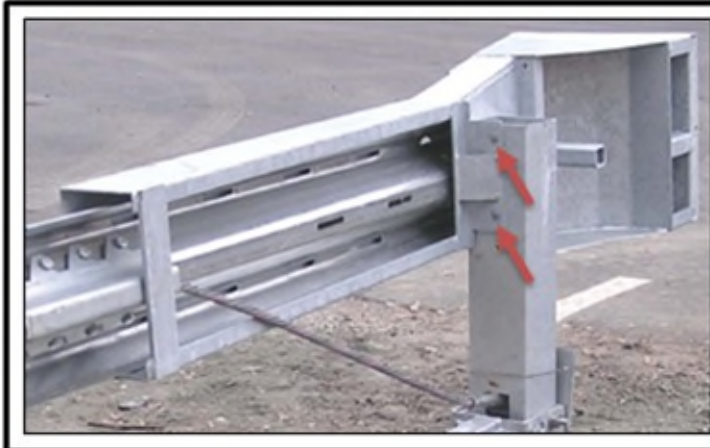
ON-SITE GUARDRAIL GARDEN TRAINING

	MSKT Inspection Checklist
	11. Are offset blocks 8" or 12" deep?

Answer: Yes / No (circle answer)
Correct Checklist Answer: Yes
Manufacturer Checklist Item: #12
The blockouts are 8" or 12" deep depending on State or local agency standards.



ON-SITE GUARDRAIL GARDEN TRAINING



MSKT Inspection Checklist

12. Are the two 5/16" x 1" hex bolts holding the impact head to post #1 secured?

Answer: Yes / No (circle answer)

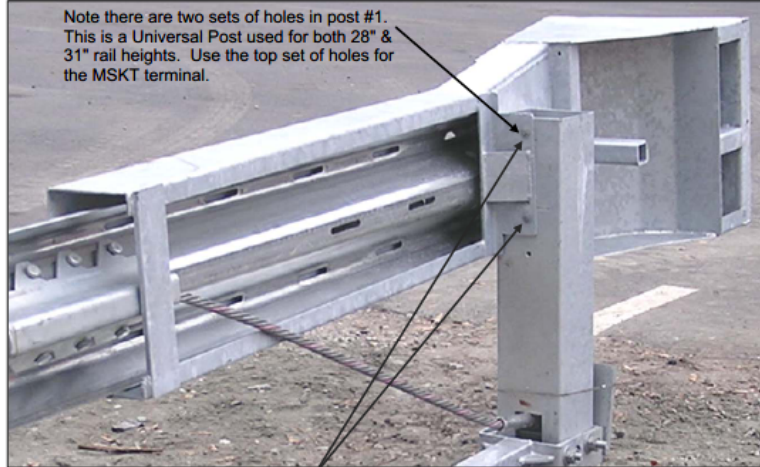
Correct Checklist Answer: Yes

Manufacturer Checklist Item: #14

The two 5/16" x 1" hex bolts holding the impact head to post #1 are secured.



ON-SITE GUARDRAIL GARDEN TRAINING



5/16" x 1" hex bolt w/ nut & (2) washers – 2 places



ON-SITE GUARDRAIL GARDEN TRAINING



MSKT Inspection Checklist

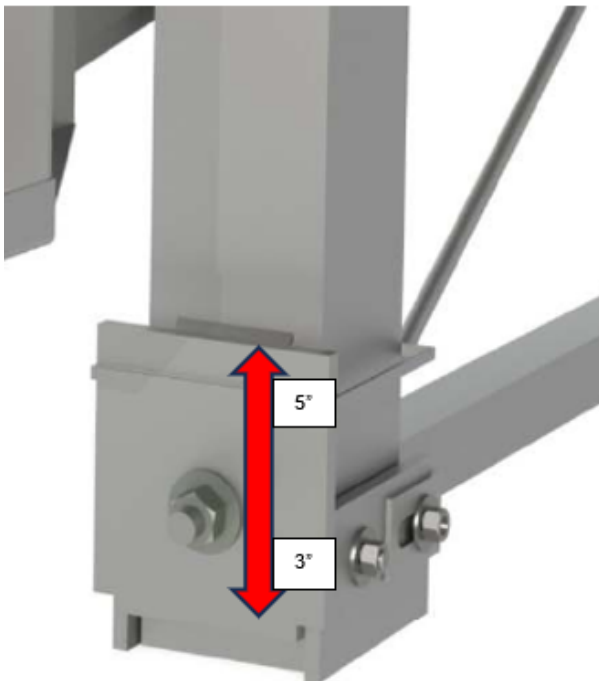
13. Is there an 8" x 8" bearing plate at post #1 and is it correctly positioned with the 5" dimension up (resting on the angle spacer) and 3" dimension down?

Answer: Yes / No (circle answer)

Correct Checklist Answer: Yes

Manufacturer Checklist Item: #15

The 8" x 8" bearing plate at post #1 is correctly positioned with the 5" dimension up (resting on the angle spacer) and 3" dimension down.



ON-SITE GUARDRAIL GARDEN TRAINING

 A photograph showing a section of a metal guardrail on a road. A diagonal metal tie is attached to the post and extends to the ground. A red arrow points to the tie's connection point at the base of the post. The end of the guardrail has a yellow and black striped safety cap.	MSKT Inspection Checklist
	14. Is there a retainer/tie placed over the bearing plate to prevent rotation?

Answer: Yes / No (circle answer)
Correct Checklist Answer: Yes
Manufacturer Checklist Item: #15
A retainer/tie has been placed over the bearing plate to prevent rotation.



ON-SITE GUARDRAIL GARDEN TRAINING



MSKT Inspection Checklist

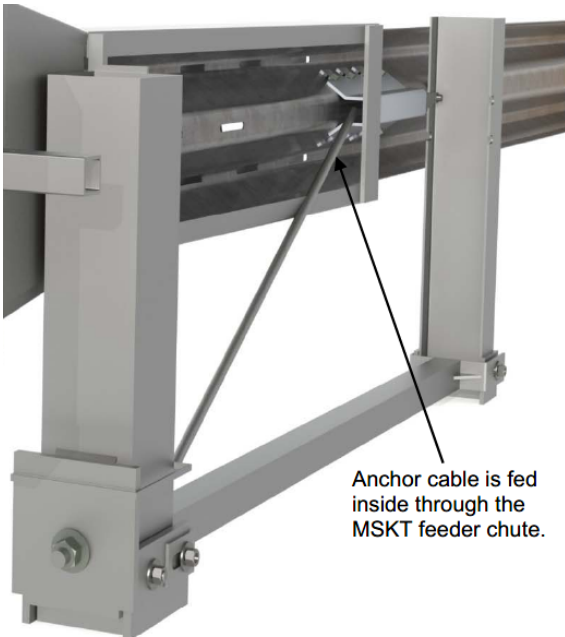
15. Does the cable deflect more than 1 inch when pressure is applied by hand in an up or down direction?

Answer: Yes / No (circle answer)


Correct Checklist Answer: No

Manufacturer Checklist Item: #15

The anchor cable is taut and correctly installed.




ON-SITE GUARDRAIL GARDEN TRAINING

	MSKT Inspection Checklist
	16. Is there a ground strut secured between posts #1 & #2 using the $\frac{3}{4}$ " x 8 $\frac{1}{2}$ " hinge bolt at post #2 and a second $\frac{5}{8}$ " x 9" hex bolt at post location #1?

Answer: Yes / No (circle answer)
Correct Checklist Answer: Yes
Manufacturer Checklist Item: #16
A ground strut is secured between posts #1 & #2 using the $\frac{3}{4}$ " x 8 $\frac{1}{2}$ " hinge bolt at post #2 and a second $\frac{5}{8}$ " x 9" hex bolt at post location #1.



ON-SITE GUARDRAIL GARDEN TRAINING



MSKT Inspection Checklist

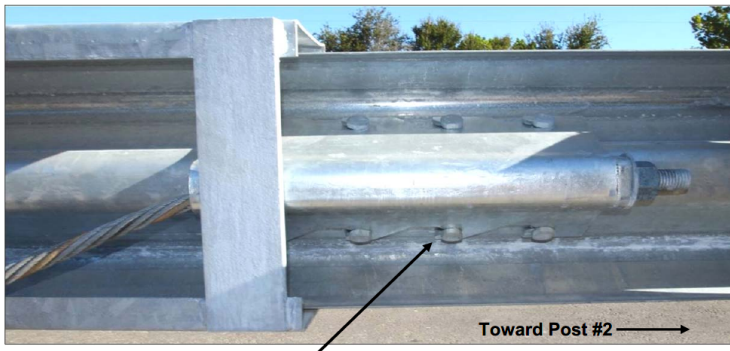
17. Are the cable anchor bracket shoulder bolts properly attached to the W-Beam guardrail and is the cable anchor bracket fully seated on the shoulder portion of the bolts?

Answer: Yes / No (circle answer)

Correct Checklist Answer: Yes

Manufacturer Checklist Item: #17

The cable anchor bracket shoulder bolts are properly attached to the W-Beam guardrail and the cable anchor bracket is fully seated on the shoulder portion of the bolts.



It is important that the anchor bracket be fully seated on the shoulder portion of the cable anchor bolts

